

**CITY OF DEXTER  
FERRIC CHLORIDE TANK REPLACEMENT**

**BIDS TO BE RECEIVED BY 10:00 a.m., LOCAL TIME, FRIDAY, MARCH 18, 2016  
AT THE OFFICE OF THE CITY MANAGER, 8123 MAIN STREET, DEXTER, MI 48130**

**OHM Advisors  
34000 Plymouth Road, Livonia, MI 48150**

**ADDENDUM NO. 1  
ISSUE DATE OF ADDENDUM: March 15, 2016**

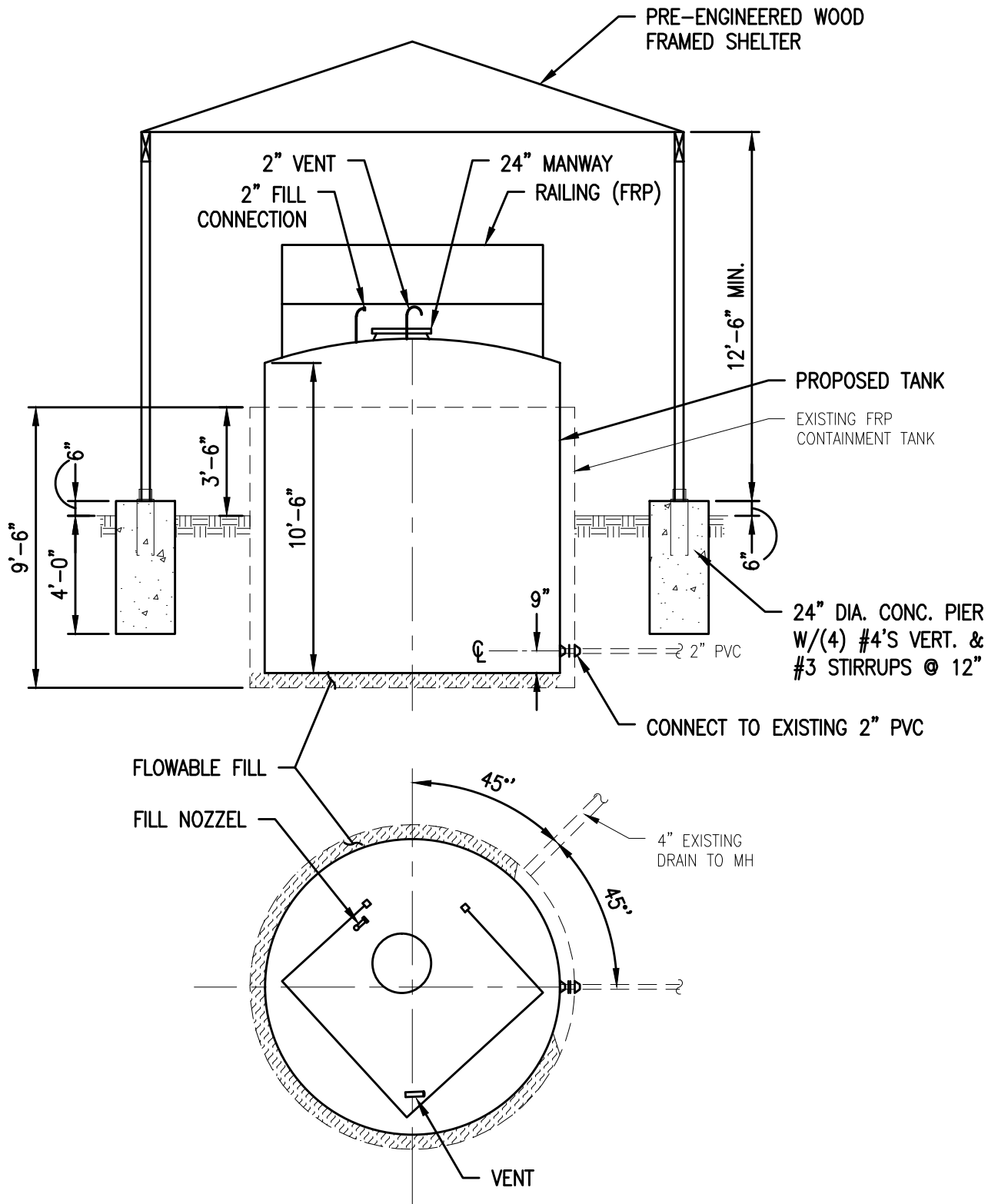
**CHANGES TO SPECIFICATIONS**

1. ENGINEERED WOOD PRODUCTS - Page 06 11 13-2, Paragraph 2.3 APPURTENANCES. –  
Add the following subparagraph:  
  
D. Provide a metal drip edge at the roof perimeter.

**CHANGES TO APPENDICES**

Appendix A3 – Ferric Tank Detail – Delete the original Appendix 3A Drawing and replace with the attached Appendix A3 – FERRIC TANK DETAIL.

**END OF ADDENDUM**



**A3 - FERRIC TANK DETAIL**